

# ASAHI

Cat. No.BE15



JQA-1973  
JQA-EM4783



**New Triple-lip design**

**Stainless steel backing plate!!**



## Insert Ball Bearing Units with Triple-Lip Seals

ASAHI SEIKO CO., LTD.

# Insert Ball Bearing Units with Triple-Lip Seals

## Excellent **dustproof** and **moisture proof** efficiencies

### Realizing **Compact machine design** and **Longer life**

#### 1 Excellent dustproof and moisture proof efficiencies

By improving design of triple-lip seal, longer life is realized; more than 2 times than the previous triple-lip seal, and more than 5 times than the standard seal

##### Sealing efficiency to powder dust



Operating length **1,450h** (Locked)  
 <<< Operating length **3,000h** (Stopped as planned)  
※ by our own test method

##### Sealing efficiency to muddy water



	Operating length until stopped
Standard type	<b>335h</b> (large vibration)
With new triple-lip seals	<b>2,220h</b> (large vibration)

※ by our own test method  
 ※ The test was done with no relubrication, so longer life is expected by regular relubrication

#### 2 Seal backing metal is made of **Stainless Steel**

All Stainless Steel bearing insert is available by adopting the new triple-lip seal

#### 3 Reducing maintenance cost

Longer life reduces maintenance cost and improve operating ratio

#### 4 Making machine design compact

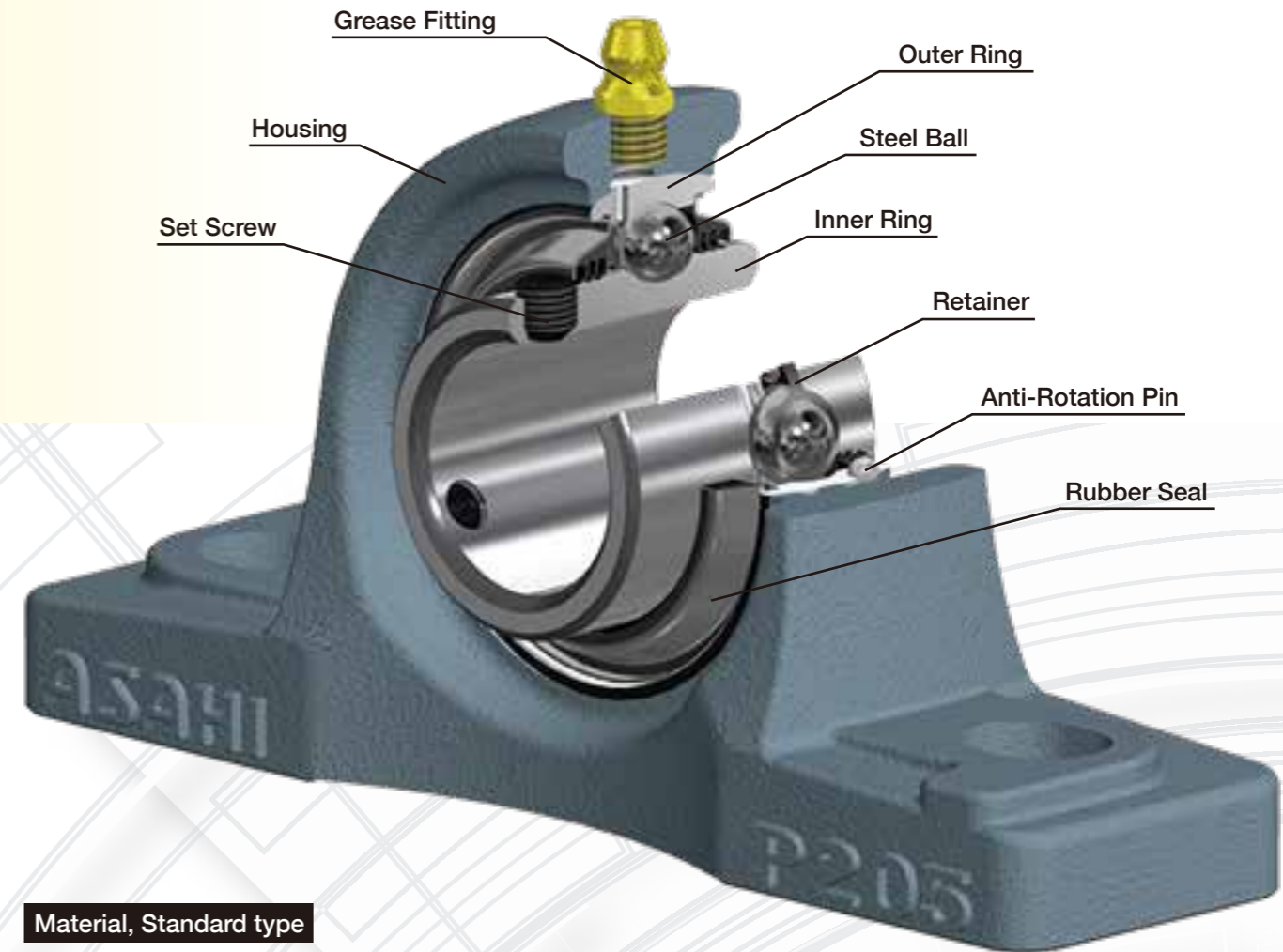
The new triple-lip seal makes cover type units replaceable depending on operating condition

#### 5 Replaceable from standard units



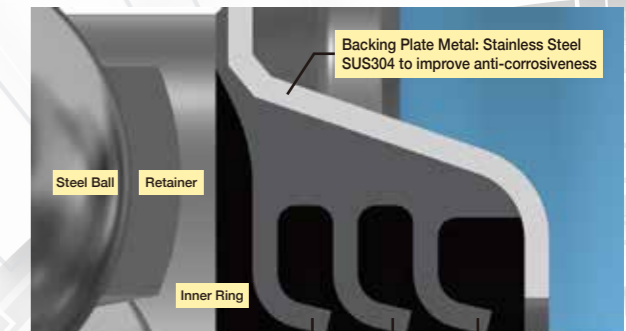
##### Special Specifications

Seal-backing metal is made of stainless steel, so all stainless bearing insert is available as MUC200V-RT by incorporating the new triple-lip seals and filling food-grade grease. Also other combinations than with UC200 set-screw locking type are possible such as with UK200 adapter locking type or with UG200 eccentric collar locking type. Please contact **ASAHI** for details.



##### Material, Standard type

Component Parts	Material	
Insert Bearing	Inner/Outer Ring	High Carbon Chrome Bearing Steel - SUJ
	Steel Ball	High Carbon Chrome Bearing Steel - SUJ
	Retainer	Cold Rolled Steel Plate - SPCC
	Rubber Seal	Nitril Rubber - NBR
	Seal Backing Metal	Stainless Steel - SUS304
	Anti-Rotation Pin	High Carbon Chrome Bearing Steel - SUJ
	Grease	Alvania Grease S3
Housing	Grey Cast Iron - FC200	
Grease Fitting	Copper alloy	



Backing Plate Metal: Stainless Steel SUS304 to improve anti-corrosiveness  
 Triple-lip design: Excellent dustproof and moisture proof efficiencies

※ For size No.201 thru 204 (shaft size 12 mm thru 20 mm), only double-lip seals are available.

##### Operating Temperature Range

Recommendable operating temperature range is normal to +100°C

##### Limiting Speed

"Limiting Speed: Limiting dn value 30,000  
 d: I.D.(mm), n: RPM (r/min)  
 UC201RD thru UC204RD - Allowable Rotation Speed : 2,500r/min

##### Relubrication

Bearings are pre-lubricated, so please relubricate basically same grease as the prelubricated one

##### Application Examples

- Steel facilities
- Water and sewage processing equipments
- Garbage disposal equipments
- Agricultural machineries
- Food processing machineries

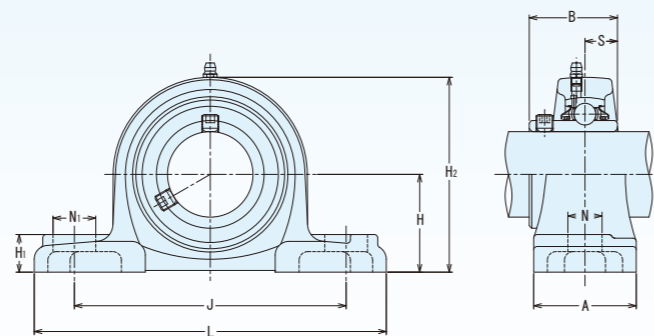
## PILLOW BLOCK UNITS

Double-lip seal type

UCP201~204RD

Triple-lip seal type

UCP205~213RT



Shaft dia. (mm)	Unit No.	Dimensions(mm)										Bolt Size	Insert Bearing		Housing No.	Weight (kg)	
		H	L	A	J	N	N <sub>1</sub>	H <sub>1</sub>	H <sub>2</sub>	B	S		Bearing No.	Basic Load Rating(kN) Cr Cor			
12	UCP201RD	30.2	127	38	95	13	19	15	62	31	12.7	M10	UC201RD	12.8	6.6	P203	0.65
15	UCP202RD	30.2	127	38	95	13	19	15	62	31	12.7	M10	UC202RD	12.8	6.6	P203	0.63
17	UCP203RD	30.2	127	38	95	13	19	15	62	31	12.7	M10	UC203RD	12.8	6.6	P203	0.62
20	UCP204RD	33.3	127	38	95	13	19	15	65	31	12.7	M10	UC204RD	12.8	6.6	P204	0.65
25	UCP205RT	36.5	140	38	105	13	16	16	70	34.1	14.3	M10	UC205RT	14	7.9	P205	0.79
30	UCP206RT	42.9	165	48	121	17	21	18	83	38.1	15.9	M14	UC206RT	19.6	11.3	P206	1.26
35	UCP207RT	47.6	167	48	127	17	21	19	94	42.9	17.5	M14	UC207RT	25.9	15.4	P207	1.59
40	UCP208RT	49.2	184	54	137	17	25	19	100	49.2	19	M14	UC208RT	29.3	17.9	P208	1.92
45	UCP209RT	54	190	54	146	17	22	20	108	49.2	19	M14	UC209RT	33	20.5	P209	2.19
50	UCP210RT	57.2	206	60	159	20	25	22	114	51.6	19	M16	UC210RT	35.5	23.2	P210	2.59
55	UCP211RT	63.5	219	60	171	20	25	22	126	55.6	22.2	M16	UC211RT	43	29.4	P211	3.3
60	UCP212RT	69.8	241	70	184	20	25	25	138	65.1	25.4	M16	UC212RT	52.5	36.1	P212	4.7
65	UCP213RT	76.2	265	70	203	25	29	27	150	65.1	25.4	M20	UC213RT	57.5	40	P213	5.6

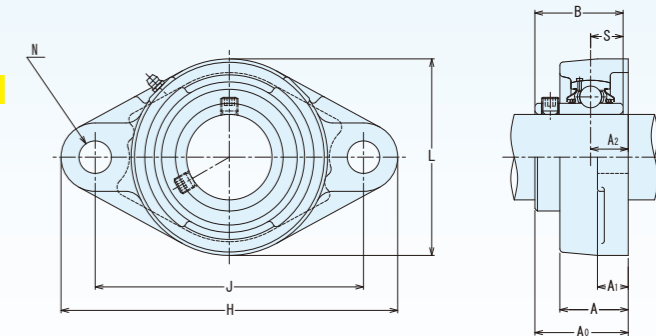
## TWO-BOLT FLANGE UNITS

Double-lip seal type

UCFL201~204RD

Triple-lip seal type

UCFL205~213RT



Shaft dia. (mm)	Unit No.	Dimensions(mm)										Bolt Size	Insert Bearing		Housing No.	Weight (kg)	
		H	L	A	J	N	A <sub>1</sub>	A <sub>2</sub>	A <sub>0</sub>	B	S		Bearing No.	Basic Load Rating(kN) Cr Cor			
12	UCFL201RD	113	60	25.5	90	12	12	15	33.3	31	12.7	M10	UC201RD	12.8	6.6	FL204	0.47
15	UCFL202RD	113	60	25.5	90	12	12	15	33.3	31	12.7	M10	UC202RD	12.8	6.6	FL204	0.45
17	UCFL203RD	113	60	25.5	90	12	12	15	33.3	31	12.7	M10	UC203RD	12.8	6.6	FL204	0.44
20	UCFL204RD	113	60	25.5	90	12	12	15	33.3	31	12.7	M10	UC204RD	12.8	6.6	FL204	0.42
25	UCFL205RT	130	68	27	99	16	14	16	35.8	34.1	14.3	M14	UC205RT	14	7.9	FL205	0.59
30	UCFL206RT	148	80	31	117	16	14	18	40.2	38.1	15.9	M14	UC206RT	19.6	11.3	FL206	0.90
35	UCFL207RT	161	90	34	130	16	16	19	44.4	42.9	17.5	M14	UC207RT	25.9	15.4	FL207	1.2
40	UCFL208RT	175	100	36	144	16	16	21	51.2	49.2	19	M14	UC208RT	29.3	17.9	FL208	1.51
45	UCFL209RT	188	108	38	148	19	18	22	52.2	49.2	19	M16	UC209RT	33	20.5	FL209	1.9
50	UCFL210RT	197	115	40	157	19	18	22	54.6	51.6	19	M16	UC210RT	35.5	23.2	FL210	2.2
55	UCFL211RT	224	130	43	184	19	20	25	58.4	55.6	22.2	M16	UC211RT	43	29.4	FL211	3.2
60	UCFL212RT	250	140	48	202	23	20	29	68.7	65.1	25.4	M20	UC212RT	52.5	36.1	FL212	4.1
65	UCFL213RT	258	155	50	210	23	24	30	69.7	65.1	25.4	M20	UC213RT	57.5	40	FL213	5.1

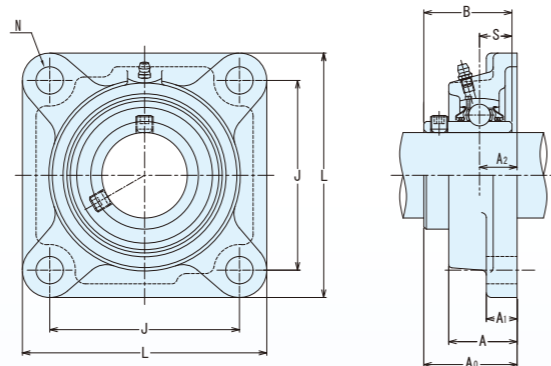
## FOUR-BOLT FRANGE UNITS

Double-lip seal type

UCF201~204RD

Triple-lip seal type

UCF205~213RT



Shaft dia. (mm)	Unit No.	Dimensions(mm)										Bolt Size	Insert Bearing		Housing No.	Weight (kg)
		L	A	J	N	A <sub>1</sub>	A <sub>2</sub>	A <sub>0</sub>	B	S	Bearing No.		Basic Load Rating(kN) Cr Cor			
12	UCF201RD	86	25.5	64	12	12	15	33.3	31	12.7	M10	UC201RD	12.8	6.6	F204	0.63
15	UCF202RD	86	25.5	64	12	12	15	33.3	31	12.7	M10	UC202RD	12.8	6.6	F204	0.61
17	UCF203RD	86	25.5	64	12	12	15	33.3	31	12.7	M10	UC203RD	12.8	6.6	F204	0.60
20	UCF204RD	86	25.5	64	12	12	15	33.3	31	12.7	M10	UC204RD	12.8	6.6	F204	0.58
25	UCF205RT	95	27	70	12	14	16	35.8	34.1	14.3	M10	UC205RT	14	7.9	F205	0.72
30	UCF206RT	108	31	83	12	14	18	40.2	38.1	15.9	M10	UC206RT	19.6	11.3	F206	1.01
35	UCF207RT	117	34	92	14	16	19	44.4	42.9	17.5	M12	UC207RT	25.9	15.4	F207	1.38
40	UCF208RT	130	36	102	16	16	21	51.2	49.2	19	M14	UC208RT	29.3	17.9	F208	1.77
45	UCF209RT	137	38	105	16	18	22	52.2	49.2	19	M14	UC209RT	33	20.5	F209	2.07
50	UCF210RT	143	40	111	16	18	22	54.6	51.6	19	M14	UC210RT	35.5	23.2	F210	2.36
55	UCF211RT	162	43	130	19	20	25	58.4	55.6	22.2	M16	UC211RT	43	29.4	F211	3.4
60	UCF212RT	175	48	143	19	20	29	68.7	65.1	25.4	M16	UC212RT	52.5	36.1	F212	4.02
65	UCF213RT	187	50	149	19	20	30	69.7	65.1	25.4	M16	UC213RT	57.5	40	F213	4.98

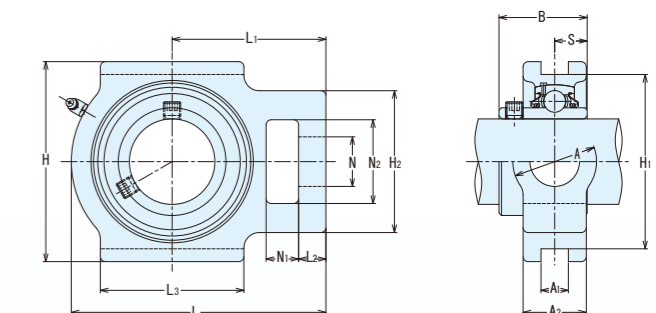
## TAKE-UP UNITS

Double-lip seal type

UCT201~204RD

Triple-lip seal type

UCT205~213RT

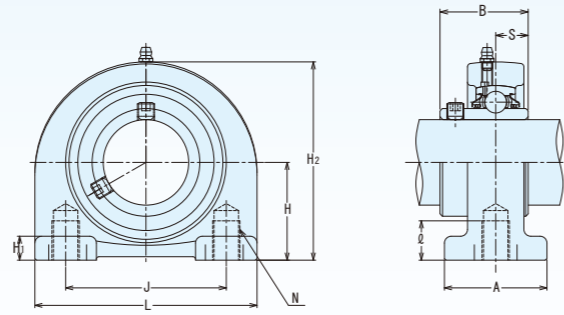


Shaft dia. (mm)	Unit No.	Dimensions(mm)														Insert Bearing		Housing No.	Weight (kg)		
		A	A <sub>1</sub>	A <sub>2</sub>	H	H <sub>1</sub>	H <sub>2</sub>	L	L <sub>1</sub>	L <sub>2</sub>	L <sub>3</sub>	N	N <sub>1</sub>	N <sub>2</sub>	B	S	Bearing No.			Basic Load Rating(kN) Cr Cor	
12	UCT201RD	32	12	21	89	76	51	94	61	10	51	19	16	32	31	12.7	UC201RD	12.8	6.6	T204	0.79
15	UCT202RD	32	12	21	89	76	51	94	61	10	51	19	16	32	31	12.7	UC202RD	12.8	6.6	T204	0.77
17	UCT203RD	32	12	21	89	76	51	94	61	10	51	19	16	32	31	12.7	UC203RD	12.8	6.6	T204	0.76
20	UCT204RD	32	12	21	89	76	51	94	61	10	51	19	16	32	31	12.7	UC204RD	12.8	6.6	T204	0.74
25	UCT205RT	32	12	24	89	76	51	97	62	10	51	19	16	32	34.1	14.3	UC205RT	14	7.9	T205	0.82
30	UCT206RT	37	12	28	102	89	56	113	70	10	57	22	16	37	38.1	15.9	UC206RT	19.6	11.3	T206	1.3
35	UCT207RT	37	12	30	102	89	64	129	78	13	64	22	16	37	42.9	17.5	UC207RT	25.9	15.4	T207	1.6
40	UCT208RT	49	16	33	114	102	83	144	88	16	83	29	19	49	49.2	19	UC208RT	29.3	17.9	T208	2.4
45	UCT209RT	49	16	35	117	102	83	144	87	16	83	29	19	49	49.2	19	UC209RT	33	20.5	T209	2.4
50	UCT210RT	49	16	37	117	102	83	149	90	16	86	29	19	49	51.6	19	UC210RT	35.5	23.2	T210	2.5
55	UCT211RT	64	22	38	146	130	102	171	106	19	95	35	25	64	55.6	22.2	UC211RT	43	29.4	T211	4.0
60	UCT212RT	64	22	42	146	130	102	194	119	19	102	35	32	64	65.1	25.4	UC212RT	52.5	36.1	T212	5.1
65	UCT213RT	70	26	44	167	151	111	224	137	21	121	41	32	70	65.1	25.4	UC213RT	57.5	40	T213	7.0

## TAPPED BASE PILLOW BLOCK UNITS

Double-lip seal type  
UCPA201~204RD

Triple-lip seal type  
UCPA205~210RT

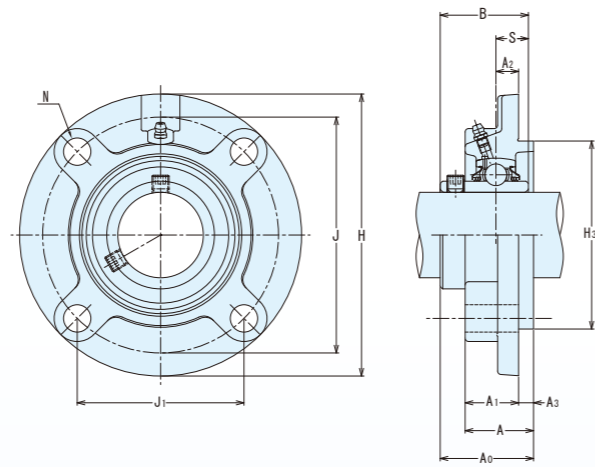


Shaft dia. (mm)	Unit No.	Dimensions(mm)										Insert Bearing		Housing No.	Weight (kg)	
		H	L	A	J	N	ℓ	H <sub>1</sub>	H <sub>2</sub>	B	S	Bearing No.	Basic Load Rating(kN) Cr Cor			
12	UCPA201RD	30.2	76	38	52	M10×1.5	12	8	62	31	12.7	UC201RD	12.8	6.6	PA204	0.55
15	UCPA202RD	30.2	76	38	52	M10×1.5	12	8	62	31	12.7	UC202RD	12.8	6.6	PA204	0.53
17	UCPA203RD	30.2	76	38	52	M10×1.5	12	8	62	31	12.7	UC203RD	12.8	6.6	PA204	0.52
20	UCPA204RD	30.2	76	38	52	M10×1.5	12	8	62	31	12.7	UC204RD	12.8	6.6	PA204	0.50
25	UCPA205RT	36.5	84	38	56	M10×1.5	15	10	72	34.1	14.3	UC205RT	14	7.9	PA205	0.72
30	UCPA206RT	42.9	94	48	66	M14×2	18	10	84	38.1	15.9	UC206RT	19.6	11.3	PA206	1.02
35	UCPA207RT	47.6	110	48	80	M14×2	20	12	95	42.9	17.5	UC207RT	25.9	15.4	PA207	1.58
40	UCPA208RT	49.2	116	54	84	M14×2	20	12	100	49.2	19	UC208RT	29.3	17.9	PA208	1.84
45	UCPA209RT	54.2	120	54	90	M14×2	25	12	108	49.2	19	UC209RT	33	20.5	PA209	2.06
50	UCPA210RT	57.2	130	60	94	M16×2	25	14	116	51.6	19	UC210RT	35.5	23.2	PA210	2.44

## FLANGE CARTRIDGE UNITS

Double-lip seal type  
UCFC201~204RD

Triple-lip seal type  
UCFC205~213RT

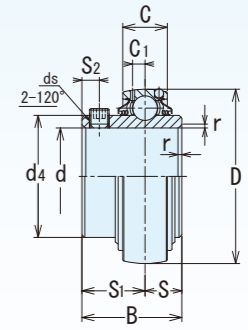


Shaft dia. (mm)	Unit No.	Dimensions(mm)											Bolt Size	Insert Bearing		Housing No.	Weight (kg)		
		H	A <sub>1</sub>	J	J <sub>1</sub>	N	A <sub>2</sub>	A <sub>3</sub>	A	H <sub>3</sub>	A <sub>0</sub>	B		S	Bearing No.			Basic Load Rating(kN) Cr Cor	
12	UCFC201RD	100	20.5	78	55.1	12	10	5	25.5	62	33.3	31	12.7	M10	UC201RD	12.8	6.6	FC204	0.89
15	UCFC202RD	100	20.5	78	55.1	12	10	5	25.5	62	33.3	31	12.7	M10	UC202RD	12.8	6.6	FC204	0.87
17	UCFC203RD	100	20.5	78	55.1	12	10	5	25.5	62	33.3	31	12.7	M10	UC203RD	12.8	6.6	FC204	0.86
20	UCFC204RD	100	20.5	78	55.1	12	10	5	25.5	62	33.3	31	12.7	M10	UC204RD	12.8	6.6	FC204	0.84
25	UCFC205RT	115	21	90	63.6	12	10	6	27	70	35.8	34.1	14.3	M10	UC205RT	14	7.9	FC205	0.97
30	UCFC206RT	125	23	100	70.7	12	10	8	31	80	40.2	38.1	15.9	M10	UC206RT	19.6	11.3	FC206	1.18
35	UCFC207RT	135	26	110	77.8	14	11	8	34	90	44.4	42.9	17.5	M12	UC207RT	25.9	15.4	FC207	1.55
40	UCFC208RT	145	26	120	84.8	14	11	10	36	100	51.2	49.2	19	M12	UC208RT	29.3	17.9	FC208	1.85
45	UCFC209RT	160	26	132	93.3	16	10	12	38	105	52.2	49.2	19	M14	UC209RT	33	20.5	FC209	2.42
50	UCFC210RT	165	28	138	97.6	16	10	12	40	110	54.6	51.6	19	M14	UC210RT	35.5	23.2	FC210	2.71
55	UCFC211RT	185	31	150	106.1	19	13	12	43	125	58.4	55.6	22.2	M16	UC211RT	43	29.4	FC211	3.9
60	UCFC212RT	195	36	160	113.1	19	17	12	48	135	68.7	65.1	25.4	M16	UC212RT	52.5	36.1	FC212	4.55
65	UCFC213RT	205	36	170	120.2	19	16	14	50	145	69.7	65.1	25.4	M16	UC213RT	57.5	40	FC213	5.11

## INSERT BEARINGS Standard series

Double-lip seal type  
UC201~204RD

Triple-lip seal type  
UC205~213RT



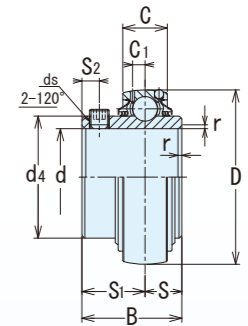
Shaft dia. (mm)	Unit No.	Dimensions(mm)										Insert Bearing		Weight (kg)	
		d	D	B	C	r <sub>s min</sub>	S	S <sub>1</sub>	S <sub>2</sub>	ds	C <sub>1</sub>	d <sub>1</sub>	Basic Load Rating(kN) Cr Cor		
12	UC201RD	12	47	31	17	0.6	12.7	18.3	4.5	M6×0.75	4.5	29	12.8	6.6	0.21
15	UC202RD	15	47	31	17	0.6	12.7	18.3	4.5	M6×0.75	4.5	29	12.8	6.6	0.19
17	UC203RD	17	47	31	17	0.6	12.7	18.3	4.5	M6×0.75	4.5	29	12.8	6.6	0.18
20	UC204RD	20	47	31	17	1	12.7	18.3	4.5	M6×0.75	4.5	29	12.8	6.6	0.16
25	UC205RT	25	52	34.1	17	1	14.3	19.8	5	M6×0.75	4.5	34	14	7.9	0.19
30	UC206RT	30	62	38.1	19	1	15.9	22.2	5	M6×0.75	5.1	40.5	19.6	11.3	0.31
35	UC207RT	35	72	42.9	20	1.5	17.5	25.4	6	M8×1	5.8	48	25.9	15.4	0.48
40	UC208RT	40	80	49.2	21	1.5	19	30.2	8	M8×1	6.2	53	29.3	17.9	0.62
45	UC209RT	45	85	49.2	22	1.5	19	30.2	8	M8×1	6.5	57.3	33	20.5	0.67
50	UC210RT	50	90	51.6	23	1.5	19	32.6	9	M10×1.25	6.5	63	35.5	23.2	0.78
55	UC211RT	55	100	55.6	24	2	22.2	33.4	9	M10×1.25	7.3	70	43	29.4	1.03
60	UC212RT	60	110	65.1	26	2	25.4	39.7	10	M10×1.25	7.7	77	52.5	36.1	1.45
65	UC213RT	65	120	65.1	27	2	25.4	39.7	10	M10×1.25	8.3	82.1	57.5	40	1.71

## INSERT BEARINGS All Stainless Steel

Food Grade Gease filled for Food Processing Machineries

Double-lip seal type  
MUC201V~204V-RD

Triple-lip seal type  
MUC205V~213V-RT



Shaft dia. (mm)	Unit No.	Dimensions(mm)										Insert Bearing		Weight (kg)	
		d	D	B	C	r <sub>s min</sub>	S	S <sub>1</sub>	S <sub>2</sub>	ds	C <sub>1</sub>	d <sub>4</sub>	Basic Load Rating(kN) Cr Cor		
12	MUC201V-RD	12	47	31	17	0.6	12.7	18.3	5	M5×0.8	4.5	29	10.9	5.3	0.21
15	MUC202V-RD	15	47	31	17	0.6	12.7	18.3	5	M5×0.8	4.5	29	10.9	5.3	0.19
17	MUC203V-RD	17	47	31	17	0.6	12.7	18.3	5	M5×0.8	4.5	29	10.9	5.3	0.18
20	MUC204V-RD	20	47	31	17	1	12.7	18.3	5	M5×0.8	4.5	29	10.9	5.3	0.16
25	MUC205V-RT	25	52	34.1	17	1	14.3	19.8	5	M5×0.8	4.5	34	11.9	6.3	0.19
30	MUC206V-RT	30	62	38.1	19	1	15.9	22.2	5	M5×0.8	5.1	40.5	16.7	9.0	0.31
35	MUC207V-RT	35	72	42.9	20	1.5	17.5	25.4	7	M6×0.75	5.8	48	22.0	12.3	0.48
40	MUC208V-RT	40	80	49.2	21	1.5	19	30.2	8	M6×0.75	6.2	53	24.9	14.3	0.62
45	MUC209V-RT	45	85	49.2	22	1.5	19	30.2	8	M6×0.75	6.5	57.3	28.1	16.4	0.67
50	MUC210V-RT	50	90	51.6	23	1.5	19	32.6	9	M8×1	6.5	63	30.2	18.6	0.78
55	MUC211V-RT	55	100	55.6	24	2	22.2	33.4	9	M8×1	7.3	70	36.6	23.5	1.03
60	MUC212V-RT	60	110	65.1	26	2	25.4	39.7	10	M10×1.25	7.7	77	44.6	28.9	1.45
65	MUC213V-RT	65	120	65.1	27	2	25.4	39.7	10	M10×1.25	8.3	82.1	48.9	32	1.71

Note For a part of bearing sizes, set-screw position (S2) and its sizes (ds) are not same as those of standard UC200 standard series above. For stainless steel housings, please refer to catalog No.BE04-13, Stainless Steel bearing units.

---

# ASAHI SEIKO CO., LTD.

---

<http://www.asahiseiko.co.jp>

**FOREIGN TRADE DEPARTMENT** : 570-1, Otori-Higashi-machi 6-cho, Nishi-ku, Sakai City, Osaka 593-8324, Japan

Tel : +81-72-272-6900

Fax : +81-72-272-6903

E-mail : [info@asahiseiko.co.jp](mailto:info@asahiseiko.co.jp)

**U.S.A. OFFICE** : 570 North Wheeling Road, Mount Prospect, Illinois 60056, U.S.A.

Tel : +1-847-759-0620

Fax : +1-847-759-0630

**CHINA OFFICE** : ROOM#101, Xuyuan Building, #5003, Longgang Road, Longgang District, Shenzhen City, Guangdong Province, 518116, China

Tel : +86-755-23605700 / 23902930

Fax : +86-755-83376159

**HEAD OFFICE & FACTORY** : 570-1, Otori-Higashi-machi 6-cho, Nishi-ku, Sakai City, Osaka 593-8324, Japan

Tel : +81-72-271-1221

Fax : +81-72-273-0058